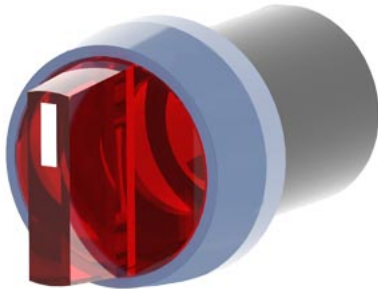


Complete unit combination 22 mm plastic metalized round selector switch 3 switch positions L>C<R 2X60DEG, V position momentary contact type non-illuminated with holder screw terminal, 2 NO black



product brand name	SIRIUS
product category	Commanding and signaling devices
product designation	Selector switch
design of the product	Complete unit
product type designation	3SB7
product line	Metal, matt, 22 mm
shape of the enclosure front	round
principle of operation of the actuating element	momentary
product extension optional light source	No
color of the actuating element	green
number of switching positions	3
product component front ring	No
material of the front ring	metal
color of the front ring	silver
product component light source	No
protection class IP	IP54
mechanical service life (operating cycles) typical	300 000
electrical endurance (operating cycles) typical	600 000
Weight	52 g
number of NC contacts for auxiliary contacts	0
number of NO contacts for auxiliary contacts	2
number of CO contacts for auxiliary contacts	0
ambient temperature	
• during operation	-25 ... +55 °C
• during storage	-25 ... +70 °C
fastening method	screw fixing
mounting diameter	22 mm
installation width	30 mm

Approvals Certificates

General Product Approval	other
--------------------------	-------



[Confirmation](#)

Further information

Information on the packaging
<https://support.industry.siemens.com/cs/ww/en/view/109813875>
 Information- and Downloadcenter (Catalogs, Brochures,...)

<https://www.siemens.com/ic10>

Industry Mall (Online ordering system)

<https://mall.industry.siemens.com/mall/en/en/Catalog/product?mlfb=3SB7130-2AM10-1NA0>

Cax online generator

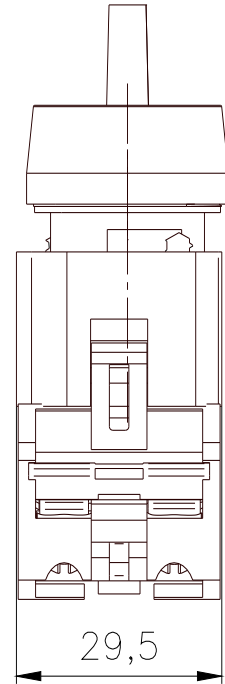
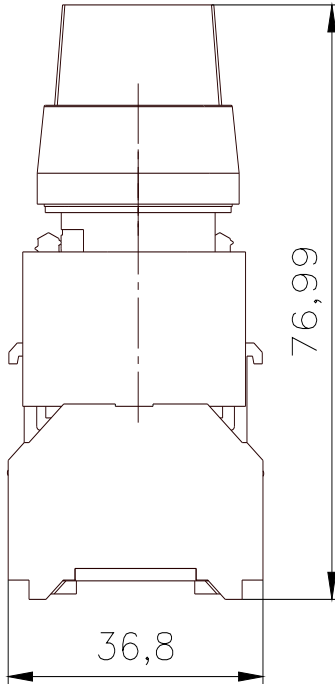
<http://support.automation.siemens.com/WW/CAXorder/default.aspx?lang=en&mlfb=3SB7130-2AM10-1NA0>

Service&Support (Manuals, Certificates, Characteristics, FAQs,...)

<https://support.industry.siemens.com/cs/ww/en/ps/3SB7130-2AM10-1NA0>

Image database (product images, 2D dimension drawings, 3D models, device circuit diagrams, EPLAN macros, ...)

http://www.automation.siemens.com/bilddb/cax_de.aspx?mlfb=3SB7130-2AM10-1NA0&lang=en



last modified:

6/30/2021 